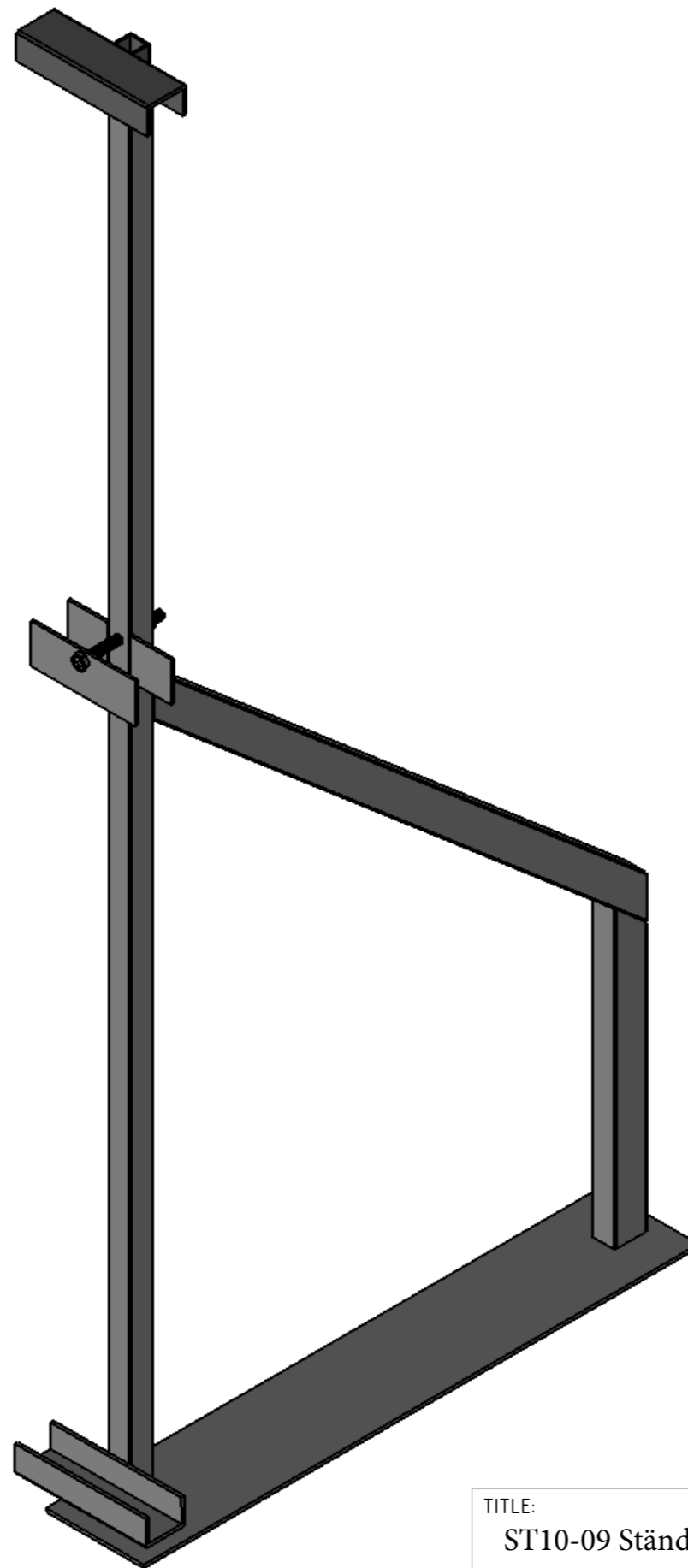

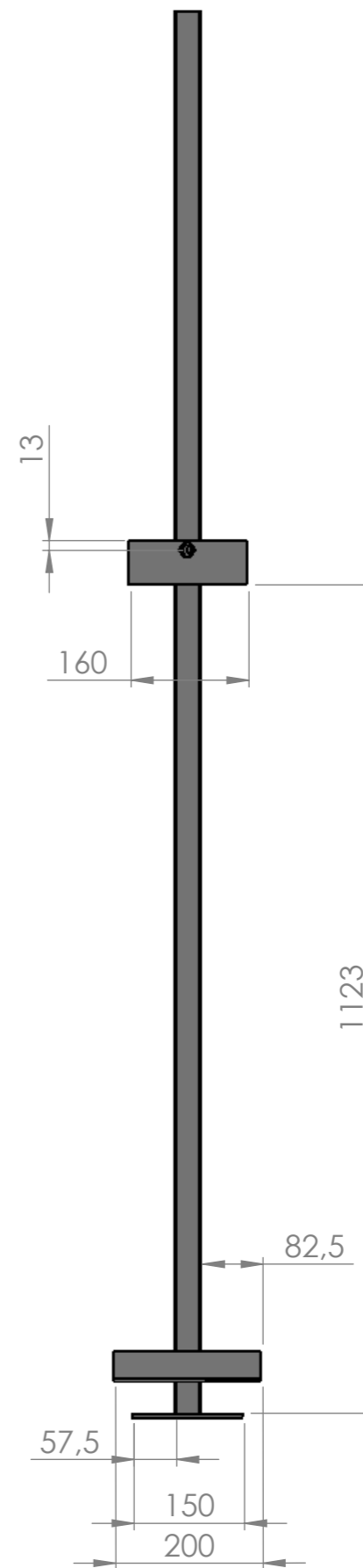
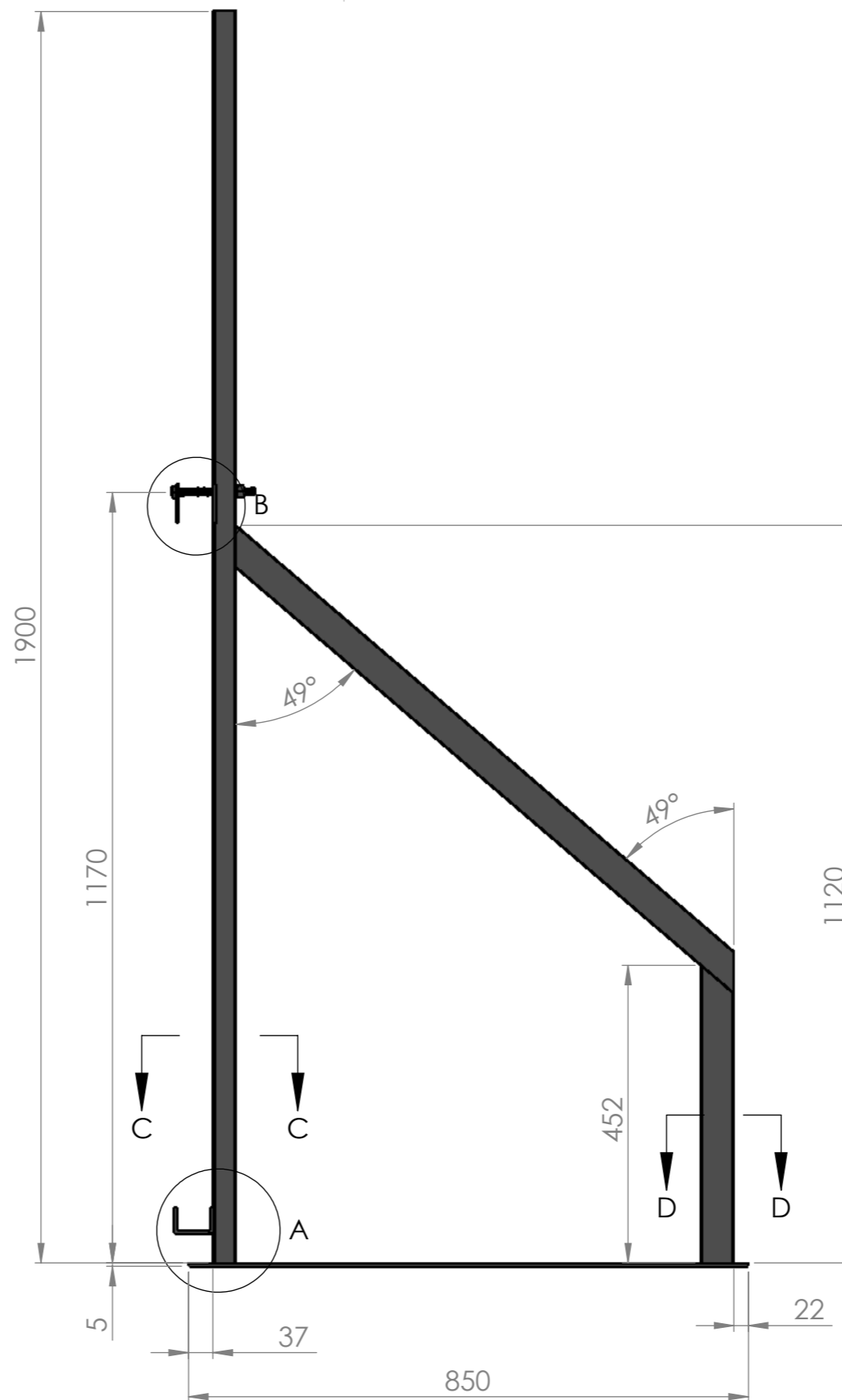
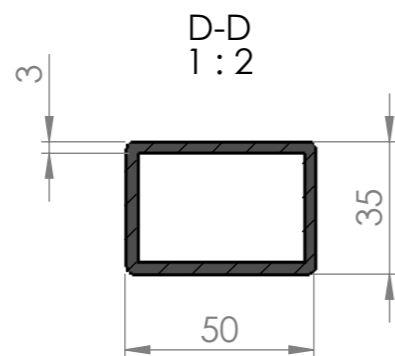
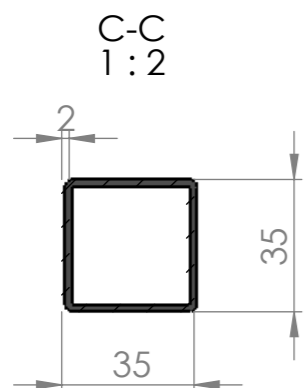
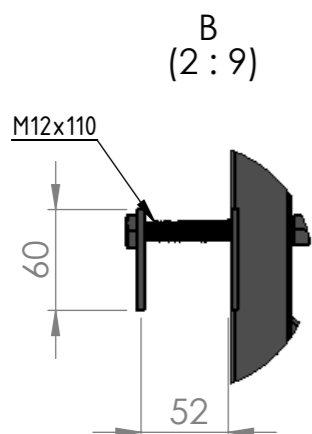
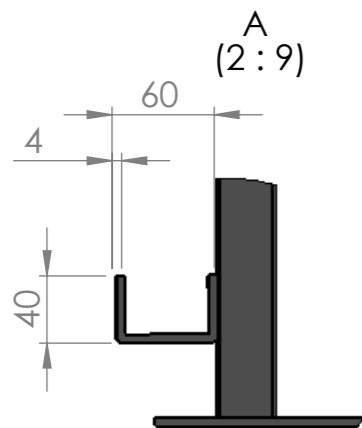


ALL DIMENSIONS IN MILLIMETERS



TITLE: ST10-09 Ständer für Holzbauzaun					
NAME	SIGNATURE	DATE	MATERIAL:		
DRAWN	BIŃCZAK		4/10/18	CODE:	90042
CHK'D				FINISH: HOT DIPPED GALVANISED	
TOLERANCE: ±5%			SCALE: 1:7		SHEET 1 OF 3

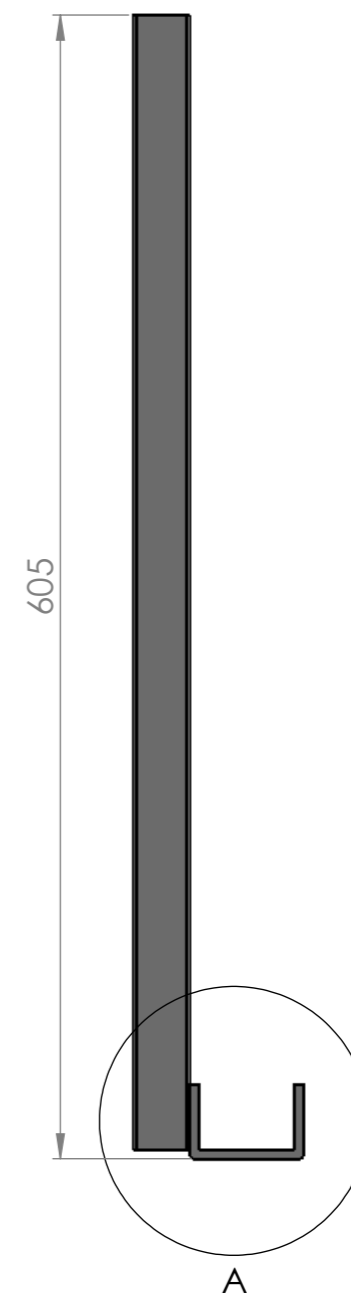
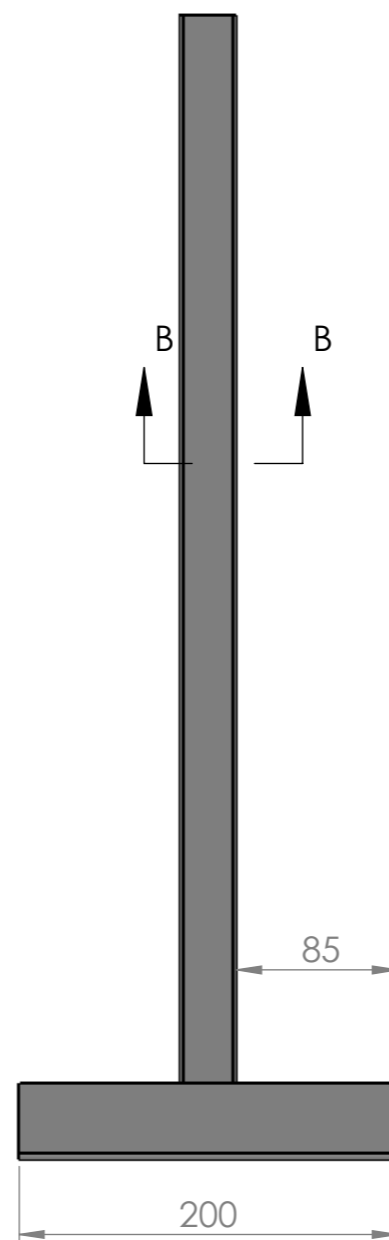
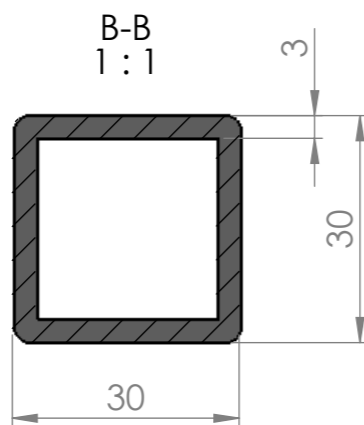
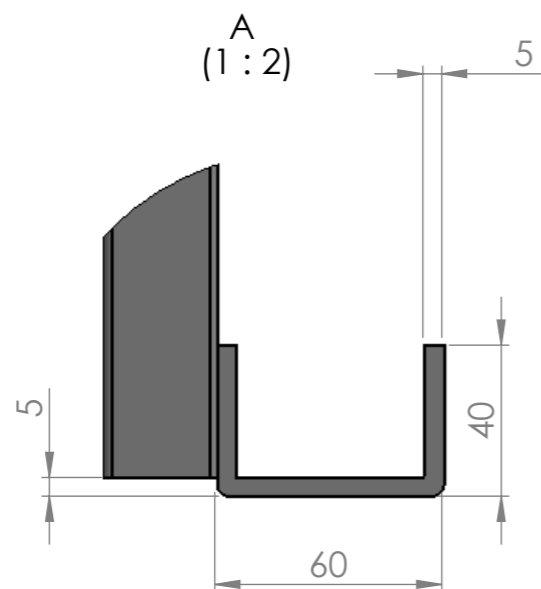
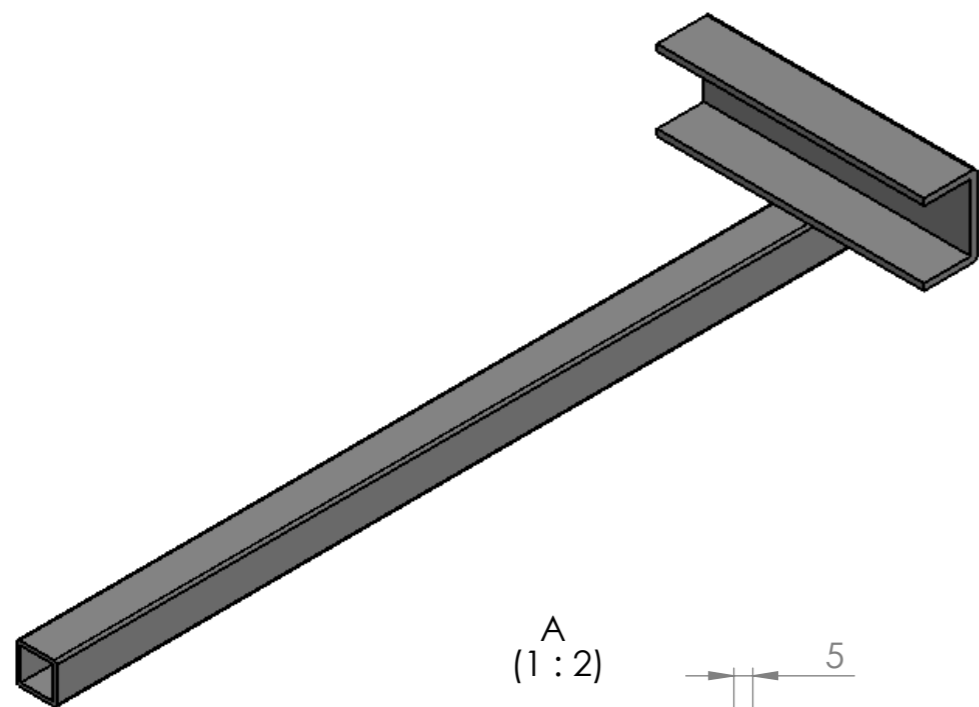
ALL DIMENSIONS IN MILLIMETERS



TITLE: STÄNDER HOLZZAUN			
NAME	SIGNATURE	DATE	MATERIAL:
DRAWN BIŃCZAK		4/10/18	
CHK'D			
FINISH: HOT DIPPED GALVANISED	TOLERANCE: ±5%		

www.bauzaun-discount.de

ALL DIMENSIONS IN MILLIMETERS



TITLE: STÄNDER HOLZZAUN			
DRAWN	NAME BIŃCZAK	SIGNATURE	DATE 4/10/18
CHK'D			
FINISH:	HOT DIPPED GALVANISED		TOLERANCE: ±5%

www.bauzaun-discount.de

CODE:	10077	Revision
SCALE: 1:4	SHEET 3 OF 3	A3