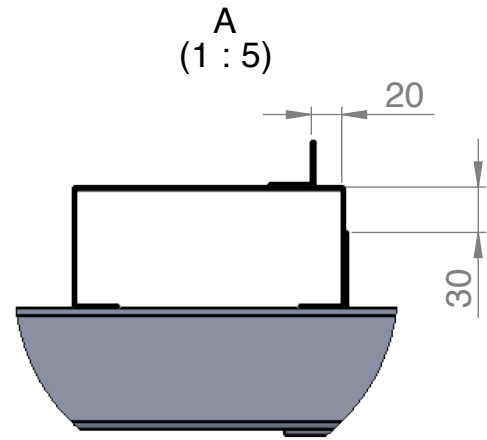


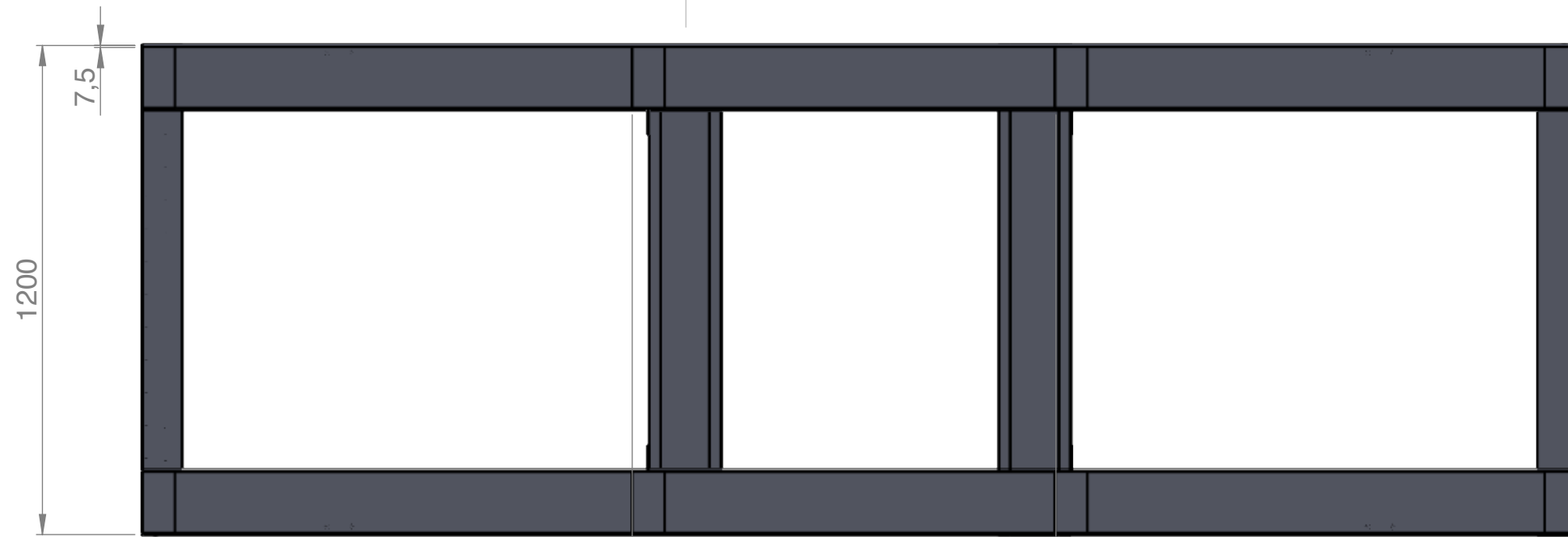
ALL DIMENSIONS IN MILLIMETERS

THIRD ANGLE PROJECTION
DO NOT SCALE DRAWING



A
(1 : 5)

B
(2 : 5)



1200

7,5

6

1226

2234

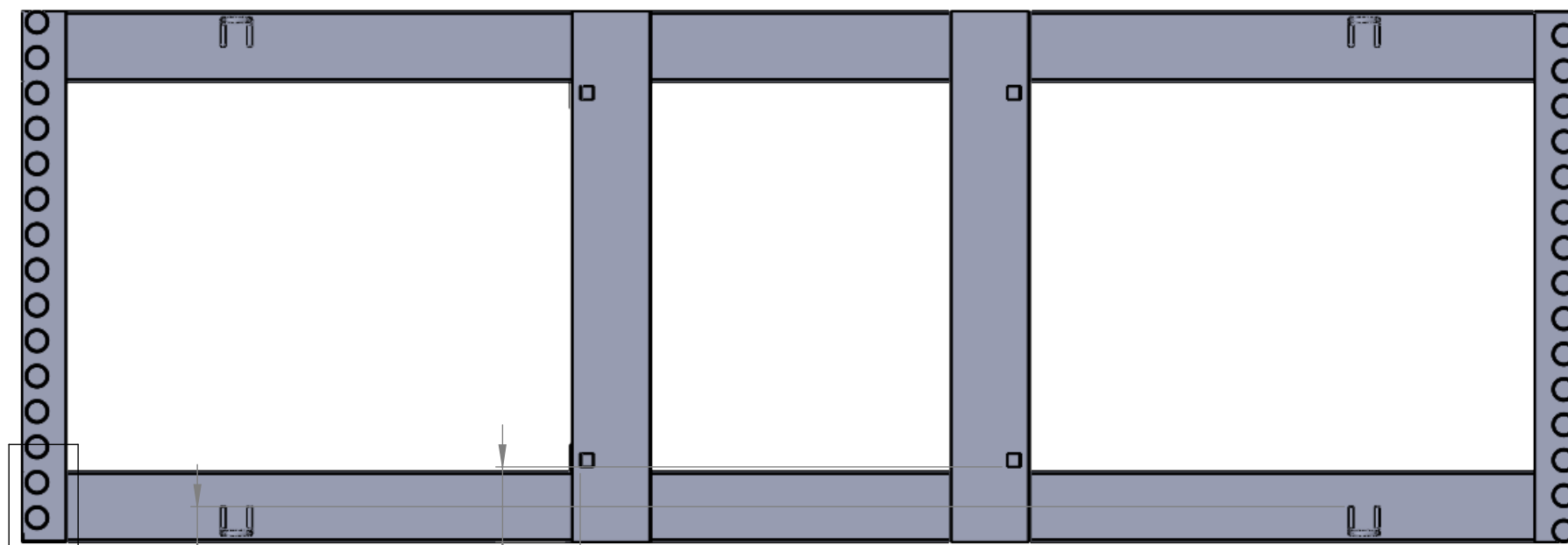
175

487

1265

850
3540

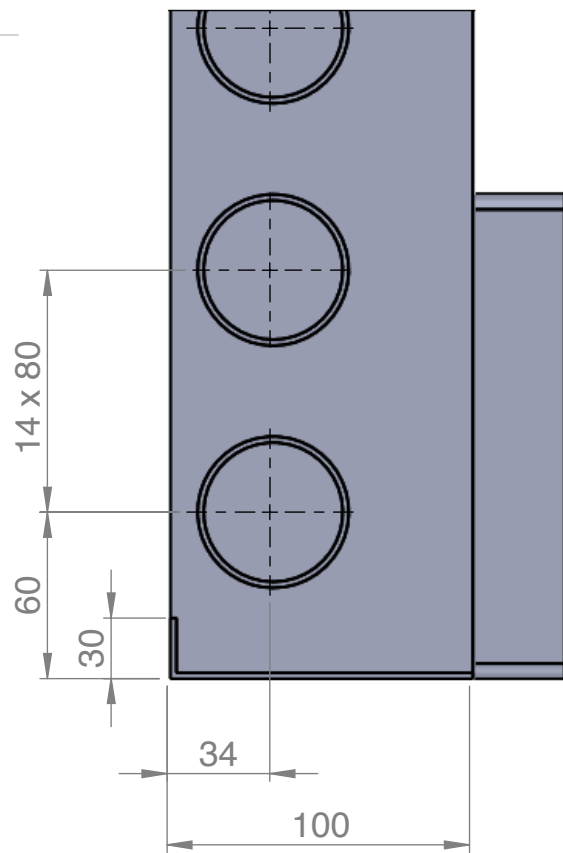
B



80

1285

170



14 x 80

60

30

34

100

TITLE: **Transportpalette TP1-30**

NAME	SGN	DATE	WEIGHT:
DRAWN BIŃCZAK		31/03/23	97 kg
CHK'D			
FINISH: PRE GALVANISED		TOLERANCE: ±5%	

www.bauzaun-discount.de

CODE: 90050 Revision

SCALE: 1:15 SHEET 1 OF 1 A3